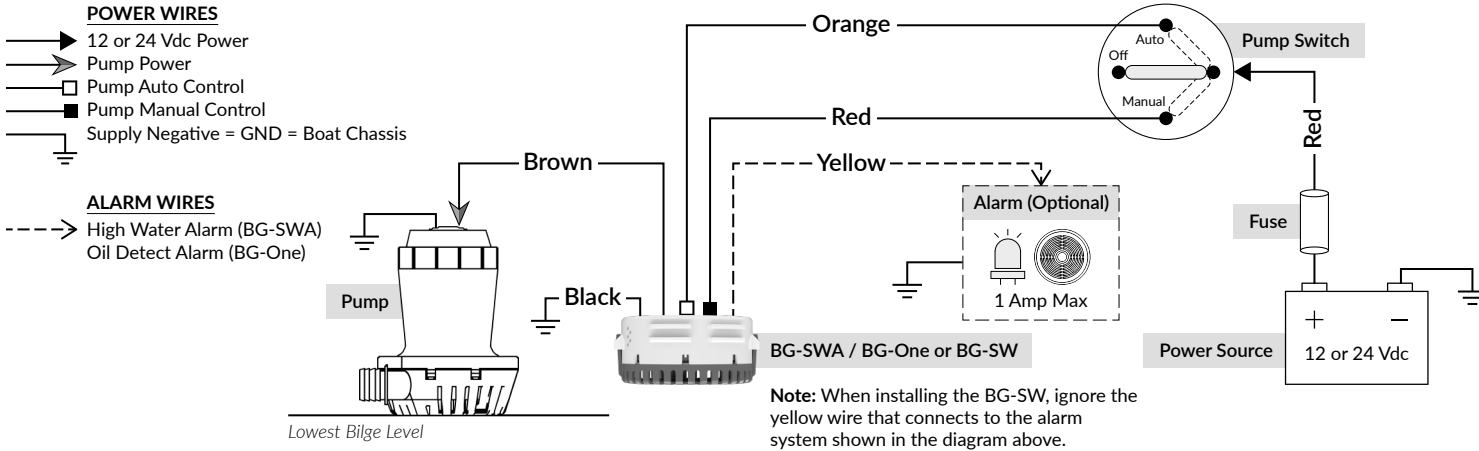


BLUE GUARD INSTALLATION GUIDE

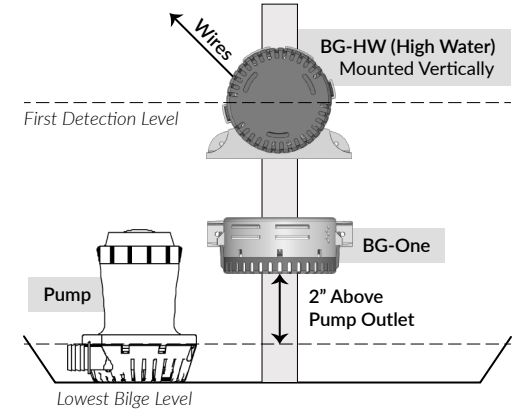
All wiring on the vessel shall be performed by a QUALIFIED MARINE ELECTRICIAN and in accordance with the "Fire Protection Standard for Motor Craft", NFPA No. 302. The Standards of the American Boat and Yacht Council, Inc., and the USCG Safety Standards for Boat Electrical Systems (33 CFR 183).

Blue Guard systems are compatible with 12 or 24 Vdc power.

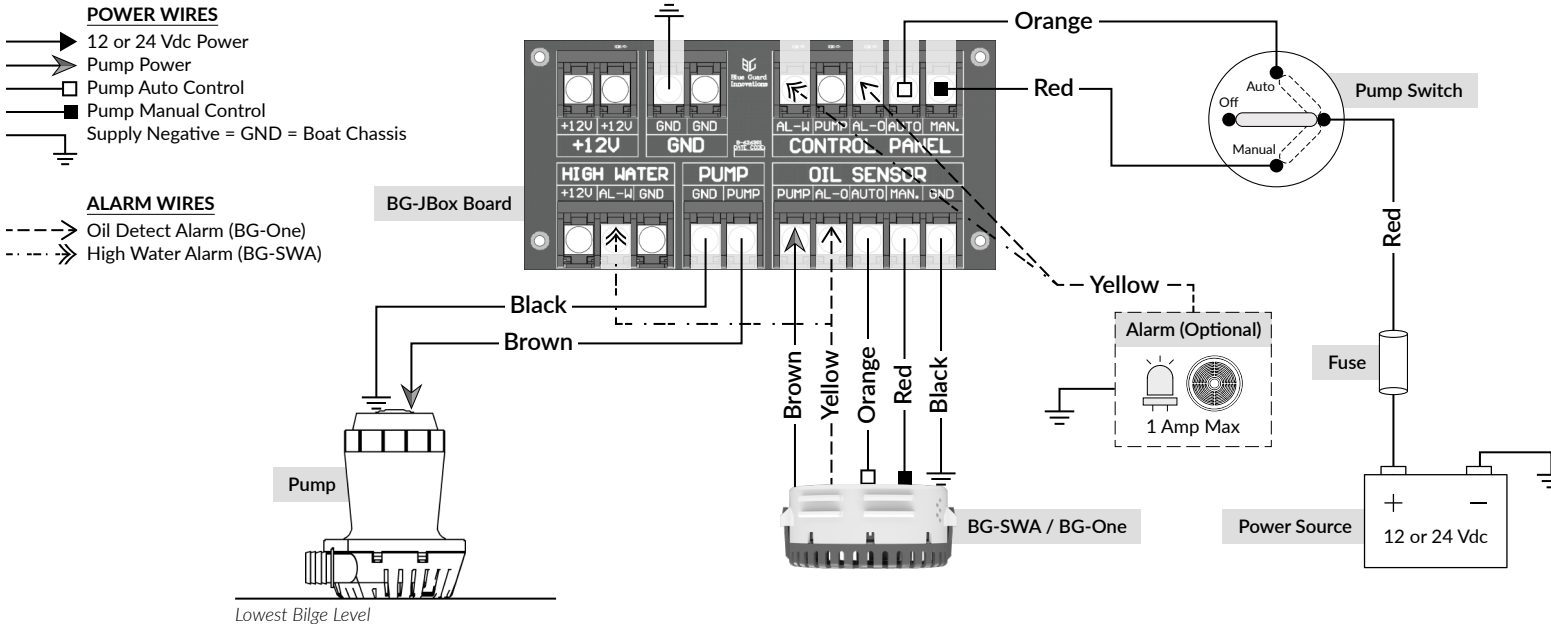
Electrical Installation I. BG-SWA / BG-One or BG-SW



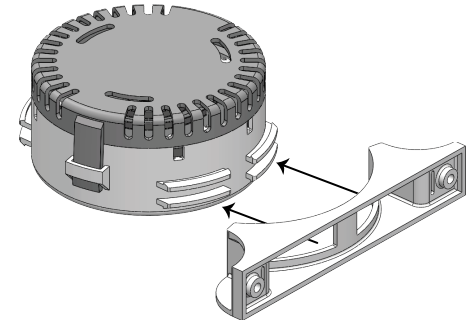
Mounting Recommendation



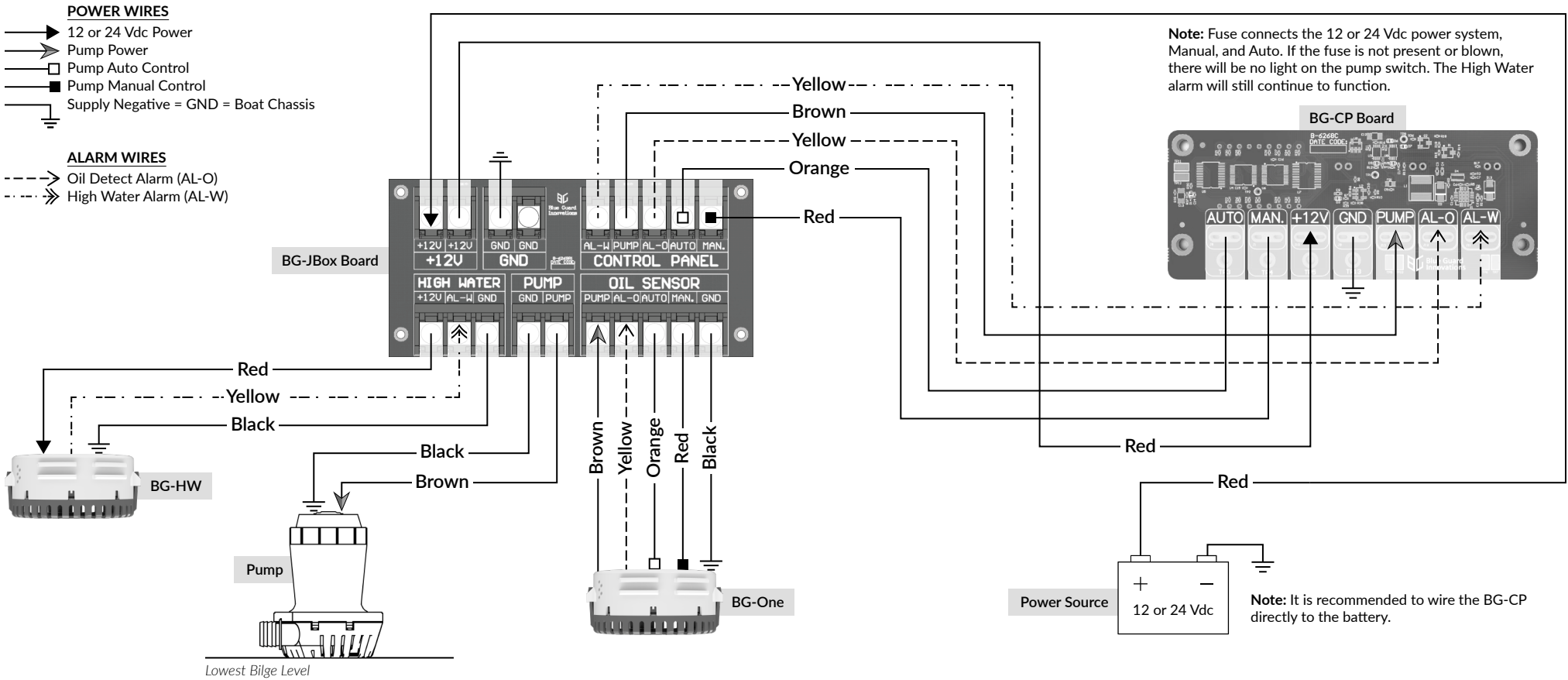
Electrical Installation II. BG-SWA / BG-One, BG-JBox



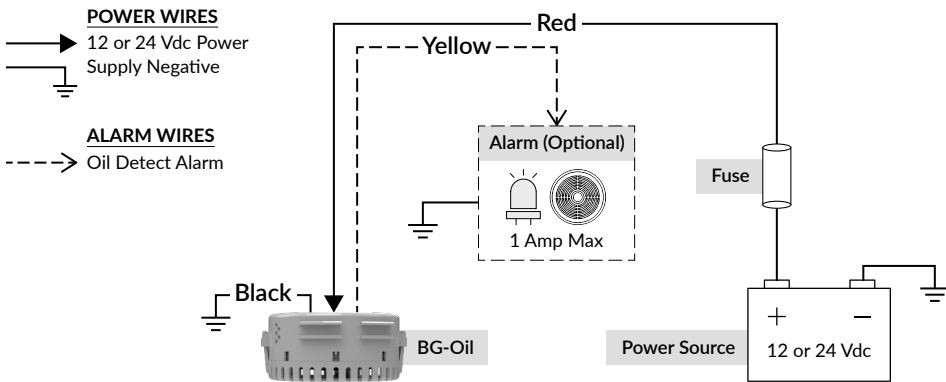
Device Mounting Bracket



Electrical Installation III. BG-One, BG-HW (High Water), BG-CP, BG-JBox



Electrical Installation IV. BG-Oil



Electrical Installation V. BG-HW (High Water)

