

BG-SW

Solid-State Bilge Pump Switch

USER MANUAL



PRODUCT DESCRIPTION

The BG-SW is an electronic bilge pump switch that uses patented technology to precisely and reliably pump water out of the bilge. Pump power is controlled by the BG-SW. The BG-SW is CE and ISO 8846 Marine Ignition Protection Certified, tested to ABYC-1500 standards.

The BG-SW can be tested and its status can be viewed using the *BGI Config App*, which can be downloaded from the App Store or Google Play. The App is used on a mobile device with Bluetooth to wirelessly connect to the BG-SW device. The App will report the input voltage level and system temperature. It also allows changing the name of the device for easy identification and testing the device.

INSTALLATION

The BG-SW is designed for mounting near the bilge pump in a vessel. It should be mounted approximately 2" above the bilge pump outlet as shown in the *Blue Guard Installation Guide*. A mounting bracket and three #8x0.75" 316 stainless steel screws are provided to allow mounting to a vertical or horizontal structure.

If the device is mounted on the bottom of the hull of the vessel the strainer should be mounted first and then the main unit attached.

The *Blue Guard Installation Guide* shows the wiring for all supported configurations. All wiring connections are made using heavy-duty 14 gauge marine grade wire. All wiring should be done by a licensed electrician following NEC code.

INSTALL STEPS:

- 1) Locate proper mounting location for the BG-SW, near the bilge pump and approximately 2" above the pump outlet.
- 2) Install mounting bracket to bulkhead using two #8x0.75" 316 stainless steel screws provided*.
- 3) Attach the BG-SW into bracket with product label facing up, and wiring close to bracket.
- 4) Run wiring to BG-JBox, BG-CP, bilge pump, and battery depending on the installation chosen from the *Blue Guard Installation Guide*. Secure the wiring. It is recommended that connections to the BG-JBox be made using 14 AWG crimp spade lugs at the ends of the wires.
- 5) Apply power to the system.
- 6) Connect to the BG-SW using the *BGI Config App* to view the status of the unit and test, and set the unit name. The App can be used to view the system parameters at any time.

*The BG-SW can also be mounted on the hull using three #8x0.75" 316 stainless steel screws. Mount the strainer first, then attach the BG-SW into place.

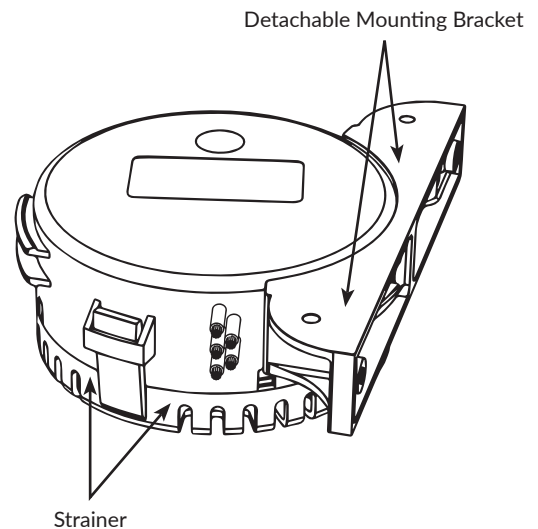
PUMP RUN TIME

Set the pump run time after water detection via the *BGI Config App*.

Set BG-SW Switch Pump Run Time*

After Water Detection Event (Normal) – Set pump run time (15-60 seconds). Factory default is 15 seconds.

*After water is detected, the pump will be activated. The pump timer set above will start when the sensor detects air during pump activation.



WIRING DESCRIPTION

Auto Power (Orange Wire) – System Power In (Can be supplied on either the Auto or Manual wire): If power is supplied to the Auto wire, the BG-SW mode of operation will control the voltage on the Bilge Pump Power (Brown Wire). Supports 12 or 24 Vdc power system.

Manual Power (Red Wire) – System Power In (Can be supplied on either the Auto or Manual wire): If power is supplied to the Manual wire, the BG-SW will energize the Pump Power (Brown Wire). Supports 12 or 24 Vdc power system.

Bilge Pump Power (Brown Wire) – Pump Power Output: Connect to Bilge Pump power. Note: The voltage supplied on this line is the same as the voltage provided into the BG-SW on the Auto or Manual Power line. Max current sourced is 20 amps.

Ground (Black Wire) – Ground Return: Connect to system ground per *Blue Guard Installation Guide*.

MAINTENANCE

Periodically check the base of the unit to ensure that no foreign material is stuck inside the sensor portion of the unit.

If salt has built up on the sensor portion, rinse with fresh water to clean.

If cleaning is required, use rubbing alcohol followed by wiping with a soft clean cloth.

FCC & IC STATEMENT

Federal Communications Commission Statement

You are cautioned that changes or modifications not expressly approved by the part responsible for compliance could void the user's authority to operate the equipment.

This device complies with Part 15 of the FCC Rules. Operation is subject to the following two conditions: 1. This device may not cause harmful interference and 2. This device must accept any interference received, including interference that may cause undesired operation of the device.

FCC RF Radiation Exposure Statement

This equipment complies with FCC radiation exposure limits set forth for an uncontrolled environment. End users must follow the specific operating instructions for satisfying RF exposure limits. This transmitter must not be colocated or operating with any other antenna or transmitter.

Industry Canada (IC)

This device complies with Industry Canada licence-exempt RSS standards. Operation is subject to the following two conditions: 1. This device may not cause interference, and 2. This device must accept any interference, including interference that may cause undesired operation of the device.

Le présent appareil est conforme aux CNR d'Industrie Canada applicables aux appareils radio exempts de licence. L'exploitation est autorisée aux deux conditions suivantes: 1. l'appareil ne doit pas produire de brouillage, et 2. l'utilisateur de l'appareil doit accepter tout brouillage radioélectrique subi, même si le brouillage est susceptible d'en compromettre le fonctionnement.

IC RF Radiation Exposure Statement

To comply with IC RF exposure requirements, this device and its antenna must not be co-located or operating in conjunction with any other antenna or transmitter.

Pour se conformer aux exigences de conformité RF canadienne l'exposition, cet appareil et son antenne ne doivent pas être co-localisés ou fonctionnant en conjonction avec une autre antenne ou transmetteur.

WARRANTY INFORMATION

Blue Guard Innovations, LLC 4909 Nautilus Ct N, Suite 121 Boulder, Colorado 80301 warrants to the original consumer purchaser that this product will be free from defects in material and workmanship, providing that the unit is not opened or otherwise abused for a period of three (3) years from the date originally purchased unless otherwise noted or sold by the manufacturer. The exclusive remedy of the consumer purchaser in the event the product is defective is to return the product to Blue Guard Innovations, LLC at the above address, freight prepaid with original sales receipt. IMPORTANT: FOR THIS WARRANTY TO BE EFFECTIVE, the product MUST BE SUPPLIED WITH PROOF OF ORIGINAL PURCHASE DATE OF THE PRODUCT. THE ACCEPTANCE BY BLUE GUARD INNOVATIONS, LLC OF ANY PRODUCT RETURNED SHALL NOT BE DEEMED AN ADMISSION THAT SUCH PRODUCT IS DEFECTIVE OR IN VIOLATION OF ANY WARRANTY. THE COMPANY RESERVES THE RIGHT TO REPAIR OR REPLACE THE PRODUCT. NO REPRESENTATIVE OR OTHER PERSON IS AUTHORIZED TO ASSUME FOR BLUE GUARD INNOVATIONS, LLC ANY ADDITIONAL LIABILITY IN CONNECTION WITH THE SALE OF ITS PRODUCTS OR TO ALTER THIS WARRANTY IN ANY WAY. IN NO EVENT WILL BLUE GUARD INNOVATIONS, LLC BE LIABLE FOR MORE THAN THE SALES PRICE OF THE PRODUCT. UNDER NO CIRCUMSTANCES WILL BLUE GUARD INNOVATIONS, LLC BE LIABLE FOR ANY LOST PROFITS, INCIDENTAL OR CONSEQUENTIAL COSTS, EXPENSES, OR DAMAGES. THE LIMITATION ON LIABILITY FOR LOST PROFITS, INCIDENTAL OR CONSEQUENTIAL COST EXPENSES OR DAMAGES SHALL SURVIVE ANY FAILURE OF ESSENTIAL PURPOSE OF THIS LIMITED WARRANTY. All wiring on the vessel shall be performed by a QUALIFIED MARINE ELECTRICIAN and in accordance with the "Fire Protection Standard for Motor Craft", NFPA No. 302. The Standards of the American Boat and Yacht Council, Inc., and the USCG Safety Standards for Boat Electrical Systems (33 CFR 183). Some states do not allow the exclusive or limitation of incidental or consequential damages, so the above limitation may not apply to you. NO EXPRESS OR LIMITED WARRANTY, INCLUDING WARRANTY OF MERCHANTABILITY AND FITNESS SHALL EXTEND FOR ANY PERIOD OF TIME GREATER THAN THREE (3) YEARS FROM THE DATE OF ORIGINAL PURCHASE OF THIS PRODUCT. Some states do not allow limitation on how long an implied warranty lasts, so the above limitation may not apply to you. CAUTION - Warranty void if seal on product is broken or product is tampered with in any way, if any electric cord is cut back more than 4 inches, if electric splices become submerged, or if product is installed contrary to instructions or warnings. Blue Guard Innovations, LLC 4909 Nautilus Ct N, Suite 121 Boulder, Colorado 80301.